

**PENDANT 32 PORCELAIN ENAMEL
60" X 32" X 14 1/4" BATHTUB
40 DEGREE LUMBAR SUPPORT**



2508-130

RH Drain, White

2509-130

LH Drain, White

DESCRIPTION:

The Pendant 32 is a 60" x 32" x 14 1/4" bathtub – the industries #1 selling porcelain enamel bathtub is full length bath offering exceptional performance and roominess for a recess application. The Pendant 32 has a 40 degree lumbar support for a comfortable bathing experience. Construction is a one piece heavy gauge seamless steel with an acid resistant porcelain enamel finish. The Pendant 32 weighs 67 lbs., easy to install into a bathtub alcove - "just set it and level it". Free standing on a full length support pad that offers added strength and sound deadening. This product is compatible or complies with ASME A112.19.1/CSA B45.2 (Standard for Enameled Steel Plumbing Fixtures), ADA (American Disabilities Act), ASTM F 462 (Safety Specification for Slip Resistant Bathing Facilities), WW-P 541 (U.S. Military Federal Specification), HUD-FHA-VA, LEED, and the Buy American Act, as applicable when installed accordingly. Available in white with a right and left drain. Made in the USA.

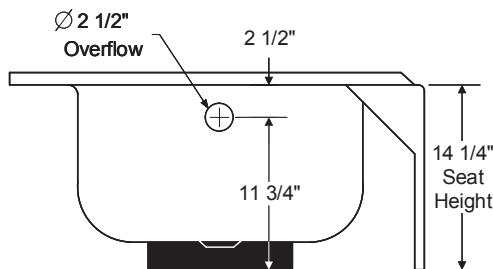
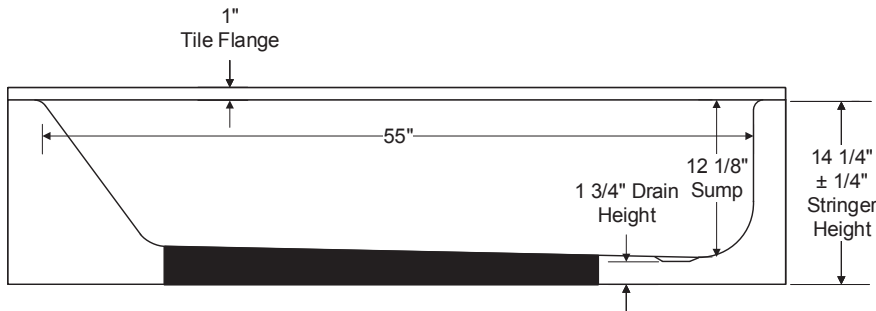
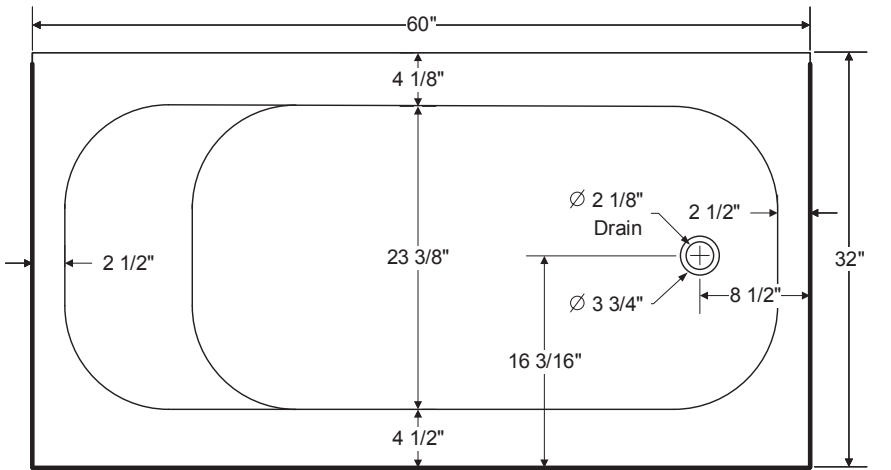
Weight: 67 lbs



PENDANT 32 PORCELAIN ENAMEL 60" X 32" X 14 1/4" BATHTUB 40 DEGREE LUMBAR SUPPORT

Pendant 32 5' Bathtub
60" x 32" x 14 1/4"
Standard Outlet

2508-130 RH Drain, white
2509-130 LH Drain, white



Complies with:
All fixtures are compatible or comply with ANSI, ASME, CSA, WW-P 541, HUD-FHA-VA, LEED and the "Buy America Act" where applicable when installed accordingly.

Standard Features:
"The affordable alternative to cast iron"
Full length sound deadening pad
Slip resistant bottom
Set it and level it

Made in the USA

All Dimensions +/- 1/8" unless otherwise noted. Dimensions shown are for reference. Actual dimensions may vary slightly and should be checked prior to installation.



812.423.5401 | www.briggsbath.com