



ANDERSON
20" X 17" PORCELAIN ENAMEL
OVAL LAVATORY



3004-130 CENTERSET PUNCH, SELF-RIM

DESCRIPTION:

Anderson is a 20" x 17" x 6 1/2" oval self-rimming porcelain enamel lavatory with 4" centersets - attractive oval styling - flat mounting surface without soap depressions accommodates the latest faucet designs - "contractor friendly" stud and clip mounting assembly for quick and easy installation - weighs only 10 lbs., acid resistant porcelain enameled steel - plastic overflow eliminates pop-offs and rust - installation template printed on shipping carton - and install. Available in white, bone or biscuit colors. This product is compatible or complies with ASME A112.19.1/CSA B45.2 (Standard for Enameled Steel Plumbing Fixtures), WW-P 541 (U.S. Military Federal Specification), HUD-FHA-VA, LEED, and the Buy American Act, as applicable when installed accordingly. Faucets not included. Made in the USA.

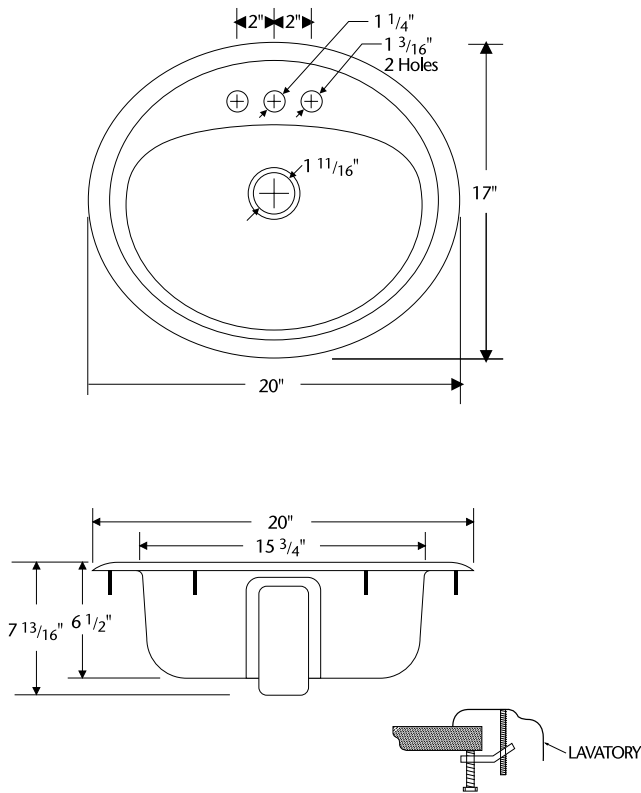
Weight: 10 lbs



ANDERSON 20" X 17" PORCELAIN ENAMEL OVAL LAVATORY

Anderson Oval Lavatory 20" x 17" (studs w/o soap depressions)

304 130 Centerset punch, self-rim



Complies with:

All fixtures are compatible or comply with ANSI, ASME, CSA, WW-P 541, HUD-FHA-VA, LEED and the "Buy America Act" where applicable when installed accordingly.

Standard Features:

"The affordable alternative to cast iron"
Full length sound deadening pad
Slip resistant bottom
Set it and level it

Made in the USA

All Dimensions +/- 1/8" unless otherwise noted.
Dimensions shown are for reference.
Actual dimensions may vary slightly and should be checked prior to installation

